

THIS DOCUMENT IS THE PROPERTY OF INTELLICONNECT. THE DESIGN AND SPECIFICATIONS DISCLOSED HEREON ARE PROPRIETARY AND SHALL NOT BE REPRODUCED, COPIED NOR USED FOR MANUFACTURE OR SALE OF DEVICES WITHOUT EXPRESSED WRITTEN AUTHORIZATION.

**PART NO.**  
0133-J1NN-420-100N

**MATERIAL/FINISH PROPERTIES**

**MATERIAL PROPERTIES:**

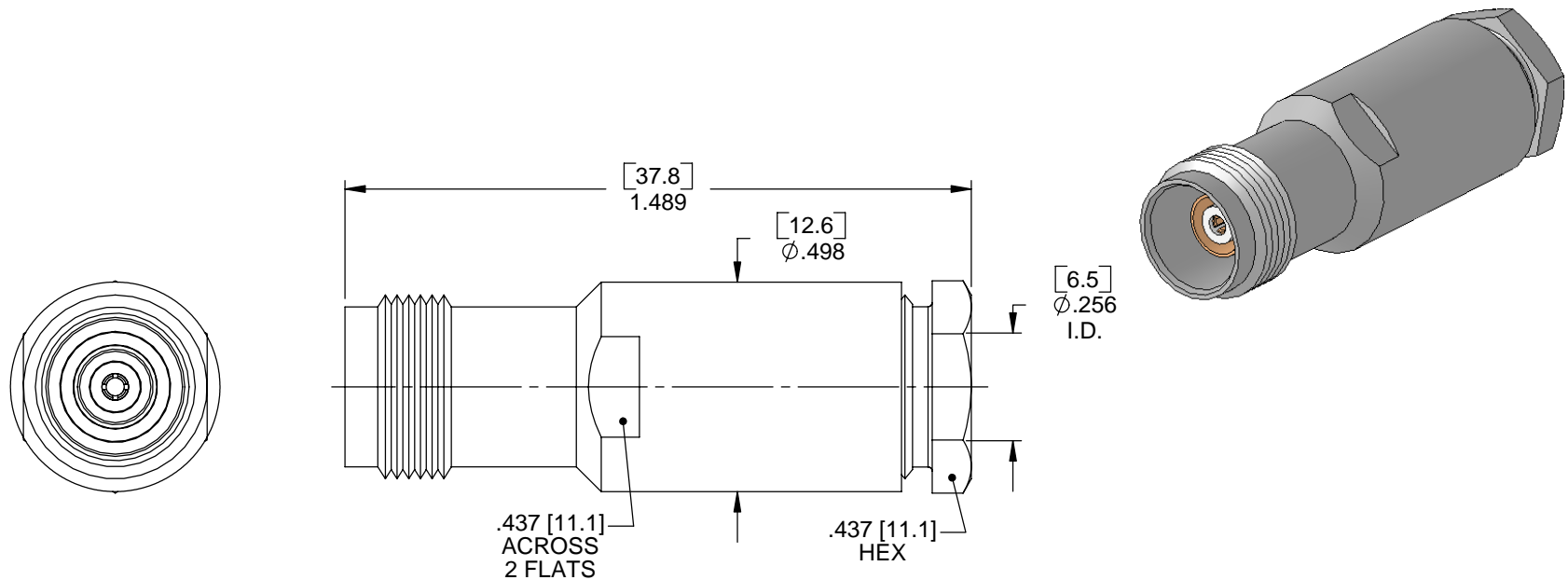
BODY: BRASS PER ASTM B16 OR EQUIVALENT  
 CENTER CONTACT: BERYLLIUM COPPER PER ASTM B196 OR EQUIVALENT  
 INTERMEDIATE CONTACT: BRASS PER ASTM B16 OR EQUIVALENT  
 INSULATORS: PTFE PER ASTM D1710 OR EQUIVALENT  
 GASKETS: SILICONE RUBBER PER AA59588 OR EQUIVALENT

**PLATING PROPERTIES:**

BODY: .000100 MIN. NICKEL PER QQ-N-290  
 CONTACT: .000030 MIN. GOLD PER MIL-G-45204 OVER  
 .000050 MIN. NICKEL PER QQ-N-290

**MECHANICAL/ELECTRICAL PROPERTIES**

CONNECTOR MEETS: MIL-STD-348 FIG. 202-2, MIL-PRF-39012  
 CONNECTOR MEETS: RoHS 2002/95/EC STANDARDS  
 CONNECTOR DURABILITY: 500 CYCLES MIN.  
 CABLE: BELDEN 9222 OR EQUIVALENT  
 ASSEMBLY INSTRUCTIONS: AI415  
 IMPEDANCE: NON CONSTANT  
 VOLTAGE RATING: 400 VRMS  
 INSULATION RESISTANCE: 5,000 MEGOHMS  
 DIELECTRIC WITHSTANDING VOLTAGE: 1,200 VRMS



**IntelliConnect**

**UNLESS OTHERWISE SPECIFIED**

ALL DIMENSIONS ARE REFERENCE  
 X.XXX DIM'S = INCHES \* [X.XX] DIM'S = MILLIMETERS  
 SURFACE FINISH: 63 MICRO MAX.  
 ALL DIAMETERS TO BE CONCENTRIC WITHIN .005 F.I.M.

**TITLE:** TRT STRAIGHT CABLE U/G CLAMP JACK

**MATERIAL & FINISH:** PER TABLE ABOVE

<b>DRAWN BY:</b> SRS	<b>CHECK BY:</b> PCS	<b>APPR. BY:</b> TLB
<b>DATE:</b> 05/04/12	<b>DATE:</b> 05/04/12	<b>DATE:</b> 05/04/12

<b>CAGE CODE NO:</b> 5N5S5	<b>SCALE:</b> 2.5:1	<b>SIZE:</b> A	<b>REV:</b> A
----------------------------	---------------------	----------------	---------------

<b>SALES DRAWING</b>	<b>PART NO.</b> 0133-J1NN-420-100N	<b>SHEET</b> 1 OF 1
----------------------	---------------------------------------	------------------------

A	NPR 825E	TLB	05/04/12
<b>REV</b>	<b>DESCRIPTION</b>	<b>APPR</b>	<b>DATE</b>