

THIS DOCUMENT IS THE PROPERTY OF INTELLICONNECT. THE DESIGN AND SPECIFICATIONS DISCLOSED HEREON ARE PROPRIETARY AND SHALL NOT BE REPRODUCED, COPIED NOR USED FOR MANUFACTURE OR SALE OF DEVICES WITHOUT EXPRESSED WRITTEN AUTHORIZATION.

PART NO.
0140-P1CH-000-103Z

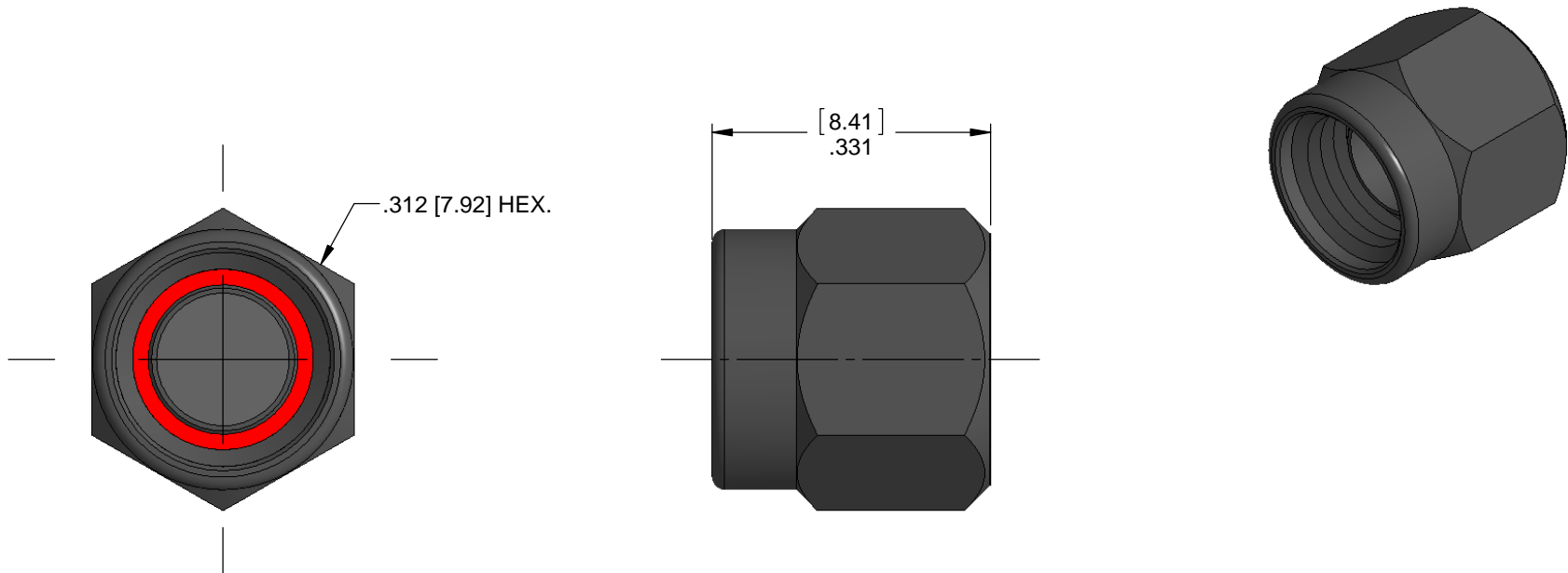
MATERIAL/FINISH PROPERTIES

MECHANICAL/ELECTRICAL PROPERTIES

MATERIAL PROPERTIES:
 BODY: BRASS PER ASTM B16 OR EQUIVALENT
 SLEEVE: STAINLESS STEEL PER ASTM A582 OR EQUIVALENT
 GASKET: SILICONE RUBBER PER A-A-59588 OR EQUIVALENT

PLATING PROPERTIES:
 METAL PARTS: .000200 MIN. MATTE, NON-REFLECTIVE, BLACK ZINC

CONNECTOR MEETS: MIL-STD-348 FIG. 310-1, MIL-PRF-39012
 ASSEMBLY MEETS: RoHS 2002/95/EC STANDARDS
 CONNECTOR DURABILITY: 250 CYCLES MIN.
 IMPEDANCE: N/A
 FREQUENCY RANGE: N/A
 VOLTAGE RATING: N/A
 INSULATION RESISTANCE: N/A



1	NPR 986E	REP	02/13/14
REV	DESCRIPTION	APPR	DATE

IntelliConnect

UNLESS OTHERWISE SPECIFIED
 ALL DIMENSIONS ARE REFERENCE
 X.XXX DIM'S = INCHES * [X.XX] DIM'S = MILLIMETERS
 SURFACE FINISH: 63 MICRO MAX.
 ALL DIAMETERS TO BE CONCENTRIC WITHIN .005 F.I.M.

TITLE: SMA DUST CAP PLUG

MATERIAL & FINISH: PER TABLE ABOVE

DRAWN BY: TLB	CHECK BY: PCS	APPR. BY: REP
DATE: 02/13/14	DATE: 02/13/14	DATE: 02/13/14
CAGE CODE NO: 5N5S5	SCALE: 5:1	SIZE: A
SALES DRAWING	PART NO. 0140-P1CH-000-103Z	REV 1 SHEET 1 OF 1