

MATERIAL/FINISH PROPERTIES

MATERIAL PROPERTIES:

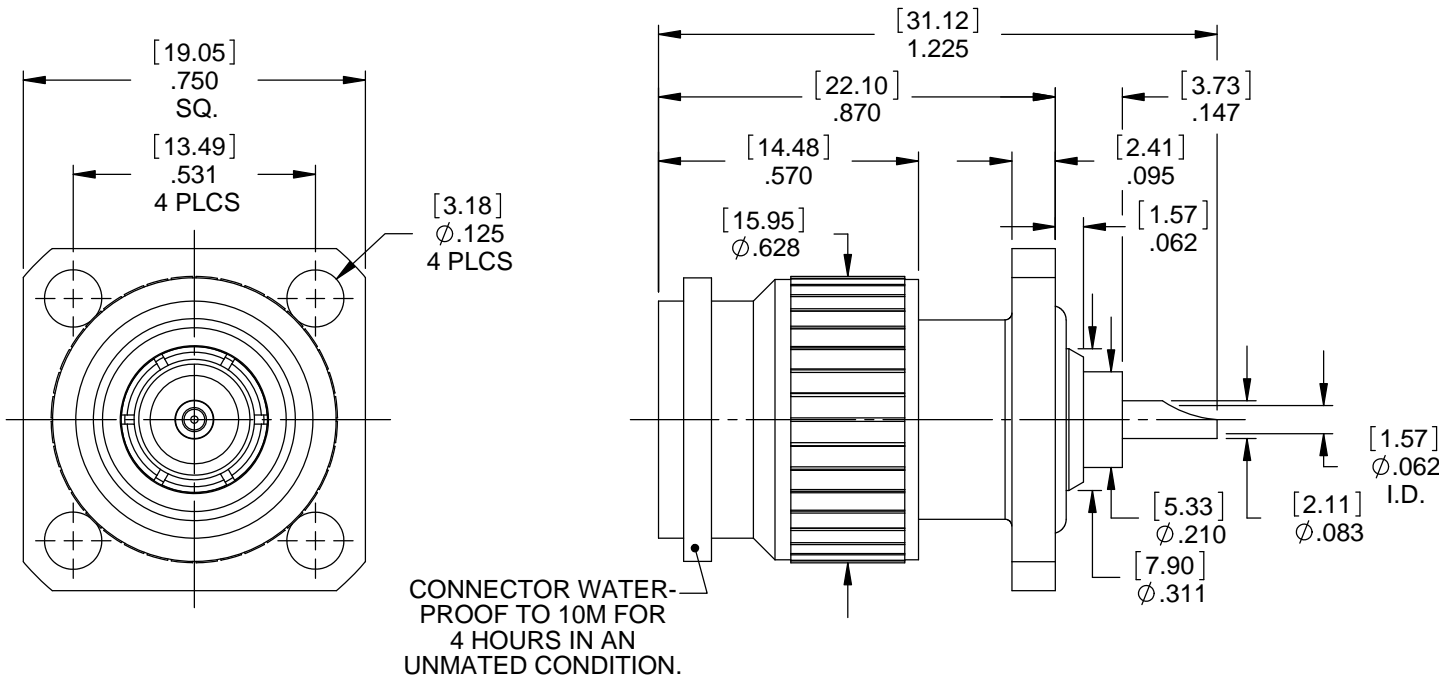
BODY: BRASS PER ASTM B16 OR EQUIVALENT
 CONTACT: BRASS PER ASTM B16 OR EQUIVALENT
 INSULATOR: PTFE PER ASTM D1710 OR EQUIVALENT
 GASKETS: SILICONE RUBBER PER AA59588 OR EQUIVALENT

PLATING PROPERTIES:

BODY: .000200 MIN. MATTE, NON-REFLECTIVE, BLACK ZINC
 CONTACT: .000030 MIN. GOLD PER MIL-G-45204 OVER
 .000050 MIN. NICKEL PER QQ-N-290

MECHANICAL/ELECTRICAL PROPERTIES

CONNECTOR MEETS: MIL-STD-348 FIG. 313-1, MIL-PRF-39012
 CONNECTOR MEETS: RoHS 2002/95/EC STANDARDS
 CONNECTOR DURABILITY: 500 CYCLES MIN.
 MOUNTING: PER ES117-FL170
 CABLE: N/A
 ASSEMBLY INSTRUCTIONS: N/A
 IMPEDANCE: 50 OHMS NOMINAL
 FREQUENCY RANGE: DC-11 GHZ
 VOLTAGE RATING: 500 VRMS
 INSULATION RESISTANCE: 5,000 MEGOHMS



IntelliConnect

UNLESS OTHERWISE SPECIFIED

ALL DIMENSIONS ARE REFERENCE
 X.XXX DIM'S = INCHES * [X.XX] DIM'S = MILLIMETERS
 SURFACE FINISH: 63 MICRO MAX.
 ALL DIAMETERS TO BE CONCENTRIC WITHIN .005 F.I.M.

TITLE: TNC SEALED STRAIGHT FLANGE MOUNT PLUG

MATERIAL & FINISH: PER TABLE ABOVE

DRAWN BY: SRS	CHECK BY: PCS	APPR. BY: TLB
DATE: 03/18/10	DATE: 03/18/10	DATE: 03/18/10

CAGE CODE NO: 5N5S5	SCALE: 2.5:1	SIZE: A	REV: C
----------------------------	---------------------	----------------	---------------

SALES DRAWING	PART NO. 5124-P1FL-000-102Z	SHEET 1 OF 1
----------------------	---------------------------------------	------------------------

C	ECN 1434	TLB	12/12/13
B	NPR 666E	TLB	03/18/10
REV	DESCRIPTION	APPR	DATE