

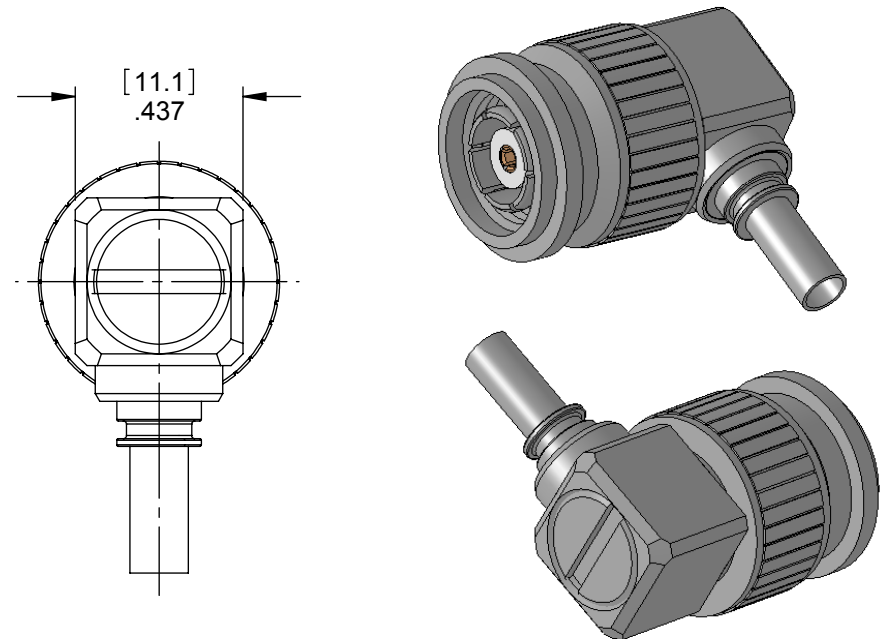
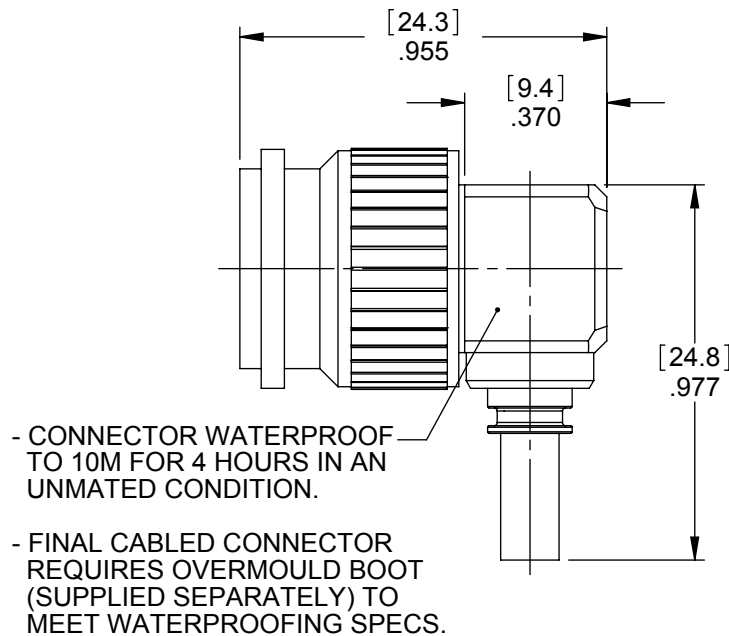
**MATERIAL/FINISH PROPERTIES**

**MATERIAL PROPERTIES:**  
 BODY: BRASS PER ASTM B16 OR EQUIVALENT  
 CONTACT: BERYLLIUM COPPER PER ASTM B196 OR EQUIVALENT  
 INSULATOR: PTFE PER ASTM D1710 OR EQUIVALENT  
 CRIMP FERRULE: BRASS PER ASTM B16 (ANNEALED) OR EQUIVALENT  
 GASKETS: SILICONE RUBBER PER AA59588 OR EQUIVALENT

**PLATING PROPERTIES:**  
 BODY: .000100 MIN. NICKEL PER QQ-N-290  
 CRIMP FERRULE: .000100 MIN. NICKEL PER QQ-N-290  
 CONTACT: .000030 MIN. GOLD PER MIL-G-45204 OVER  
 .000050 MIN. NICKEL PER QQ-N-290

**MECHANICAL/ELECTRICAL PROPERTIES**

CONNECTOR MEETS: MIL-STD-348, MIL-PRF-39012  
 CONNECTOR MEETS: RoHS 2002/95/EC STANDARDS  
 CONNECTOR DURABILITY: 500 CYCLES MIN.  
 CABLE: RG316 OR EQUIVALENT  
 ASSEMBLY INSTRUCTIONS: AI470 (IP67), AI471 (IP68)  
 FERRULE CRIMP TOOL: .128 HEX.  
 IMPEDANCE: 50 OHMS NOMINAL  
 FREQUENCY RANGE: DC-11 GHZ  
 VOLTAGE RATING: 500 VRMS  
 INSULATION RESISTANCE: 5,000 MEGOHMS MIN.  
 DIELECTRIC WITHSTANDING VOLTAGE: 1,500 VRMS  
 TEMPERATURE RATING: -65°C TO +165°C



# IntelliConnect

**TITLE:** TNC REVERSE POLARITY SEALED LOW & SMOOTH PROFILE RIGHT ANGLE CABLED PLUG

**MATERIAL & FINISH:** PER TABLE ABOVE

C	ECN 1514	MS	01/25/16
B	ECN 1428	TLB	11/13/13
A	NPR 853E	TLB	02/12/13
<b>REV</b>	<b>DESCRIPTION</b>	<b>APPR</b>	<b>DATE</b>

**UNLESS OTHERWISE SPECIFIED**  
 ALL DIMENSIONS ARE REFERENCE  
 X.XXX DIM'S = INCHES \* [X.XX] DIM'S = MILLIMETERS  
 SURFACE FINISH: 63 MICRO MAX.  
 ALL DIAMETERS TO BE CONCENTRIC WITHIN .005 F.I.M.

<b>DRAWN BY:</b> SRS	<b>CHECK BY:</b> PCS	<b>APPR. BY:</b> TLB
<b>DATE:</b> 01/14/13	<b>DATE:</b> 01/14/13	<b>DATE:</b> 01/14/13
<b>CAGE CODE NO:</b> 5N5S5	<b>SCALE</b> 2:1	<b>SIZE</b> A
<b>SALES DRAWING</b>	<b>PART NO.</b> 5124-Z2NN-301-107N	<b>SHEET</b> 1 OF 1