

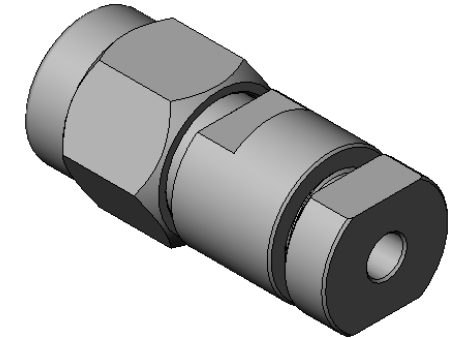
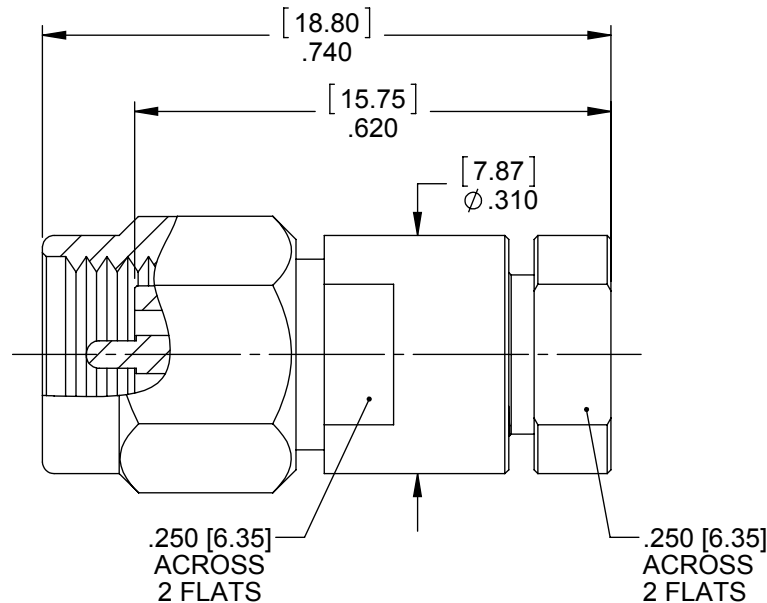
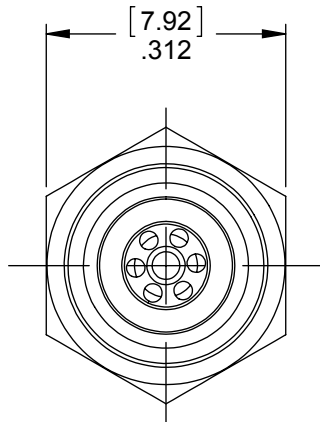
**MATERIAL/FINISH PROPERTIES**

**MATERIAL PROPERTIES:**  
 BODY/SLEEVE/NUT: STAINLESS STEEL PER ASTM A582 OR EQUIVALENT  
 CONTACT: BERYLLIUM COPPER PER ASTM B196 OR EQUIVALENT  
 INSULATOR: KEL-F

**PLATING PROPERTIES:**  
 BODY/SLEEVE/NUT: PASSIVATE PER QQ-P-35, TYPE II  
 CONTACT: .000030 MIN. GOLD PER MIL-G-45204 OVER  
 .000050 MIN. NICKEL PER QQ-N-290

**MECHANICAL/ELECTRICAL PROPERTIES**

CONNECTOR MEETS: MIL-STD-348 FIG. 323-1, MIL-PRF-39012  
 CONNECTOR MEETS: RoHS 2002/95/EC STANDARDS  
 CONNECTOR DURABILITY: 250 CYCLES MIN.  
 CABLE: RG405 (.086 S/R)  
 IMPEDANCE: 50 OHMS NOMINAL  
 FREQUENCY RANGE: DC-40 GHz  
 VOLTAGE RATING: 335 VRMS



# IntelliConnect

**UNLESS OTHERWISE SPECIFIED**

ALL DIMENSIONS ARE REFERENCE  
 X.XXX DIM'S = INCHES \* [X.XX] DIM'S = MILLIMETERS  
 SURFACE FINISH: 63 MICRO MAX.  
 ALL DIAMETERS TO BE CONCENTRIC WITHIN .005 F.I.M.

**TITLE:** 2.92 STRAIGHT CABLED SOLDERLESS PLUG

**MATERIAL & FINISH:** PER TABLE ABOVE

<b>DRAWN BY:</b> MS	<b>CHECK BY:</b> REP	<b>APPR. BY:</b> TLB
<b>DATE:</b> 01/29/16	<b>DATE:</b> 01/29/16	<b>DATE:</b> 01/29/16

<b>CAGE CODE NO:</b> 5N5S5	<b>SCALE:</b> 4:1	<b>SIZE:</b> A	<b>REV:</b> A
----------------------------	-------------------	----------------	---------------

<b>SALES DRAWING</b>	<b>PART NO.</b> 5169-P1NN-603-100P	<b>SHEET</b> 1 OF 1
----------------------	---------------------------------------	------------------------

A	NPR 1215E	TLB	01/29/16
<b>REV</b>	<b>DESCRIPTION</b>	<b>APPR</b>	<b>DATE</b>