

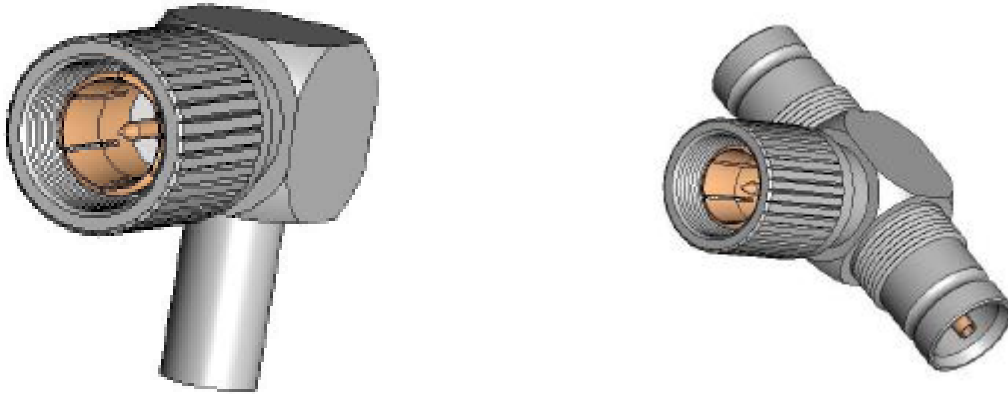
Product Data Sheet

SERIES 1.6/5.6 STANDARD - MINIATURE CONNECTORS

Typical Applications – Telecoms, Mobile Comms, Data

GENERAL DESCRIPTION

This miniature 75 ohm connector series is designed for various application environments. This series has a M9 x. 0.5 screw thread coupling mechanism.



MATERIALS/ Plating Options

Bodies & Other Parts: Brass per ASTM B16 or equivalent. Nickel: Per QQ-N-290, Class II

Female Contacts: Beryllium Copper per ASTM B196 or equiv. Gold: Per MIL-G-45204, Type II, Grade C, Silver: Per QQ-S-365, Type II, Grade A

Male Contacts: Brass per ASTM B16 or equivalent. Gold: Per MIL-G-45204, Type II, Grade C, Silver: Per QQ-S-365, Type II, Grade A

Insulators (Dielectric): PTFE Fluorocarbon per ASTM D1710 or equivalent.

Gaskets: Silicone Rubber per AA59588 or equivalent.

MECHANICAL SPECIFICATION

Force to Engage 2.5 in-lbs Max. Force to Disengage: 2.5 in-lbs. max.

Coupling Nut Retention Force: 50 lbs. Min.

Mating Cycles: 500 min.

ELECTRICAL SPECIFICATION

Impedance: 75 Ohms Nominal

Frequency Range: DC-12 GHz

Insulation Resistance: 10,000 Megohms min.

Voltage Rating: 330 VRMS

Dielectric Withstanding: 1000 VRMS at sea level

Contact Resistance: Outer Contact: 2.0 Milliohms, Center Contact: 4.0 Milliohms

ENVIRONMENTAL SPECIFICATION

Temperature rating: -40°C to +85°C

Vibration: IEC 60068-2-6

DESIGNED IN ACCORDANCE WITH:

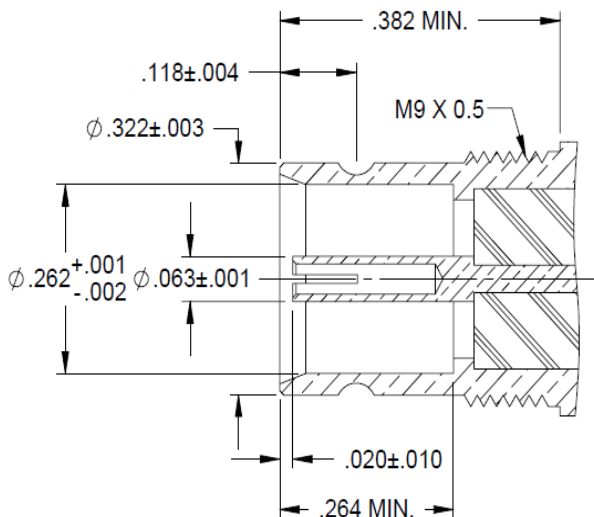
CECC: 22 240

DIN: 42795

INTELLICONNECT: ES101, ES103, ES104

JACK INTERFACE

(FEMALE CONTACT)



PLUG INTERFACE

(MALE CONTACT)

